

Furon[®] Precision Plug Valve

Manually Actuated, 2-Way Valve (1/16" to 1/4" Orifice)

Description

Furon Precision Plug Valves offer a means of precisely regulating flow in liquid and gas applications. Precision Plug Valves feature a manual adjustment knob with fine adjustment threads, allowing the user to precisely set the desired flow rate. Constructed from 100% virgin PTFE wetted parts, they are suitable for use with harsh, aggressive, or ultra-pure chemistry, as well as most gases. Our bubble-tight plug design assures no leakage in gas applications. Panel mount feature is standard on all Precision Plug Valves, allowing the user to easily mount the valves on an instrumentation or control panel.

Applications

- Precise regulation of chemical or gas flow in wafer processing applications
- Flow regulation in DI water systems
- Instrumentation requiring precise flow regulation of gas or chemical
- Laboratory applications



Features and Benefits

- 100% Virgin PTFE wetted flow path
- Small footprint
- Bubble tight sealing
- Straight through flow path construction
- Suitable for liquid and gas use
- Panel mount feature standard

ASK AN ENGINEER

Furon Precision Plug Valve

Part Number	End Connection	Orifice (in)	Port Size (in)	A
PV1-12	FNPT	1/16	1/8	1.49" (37.85 mm)
PV1-22	FNPT	1/8	1/8	1.49" (37.85 mm)
PV1-24	FNPTI	1/8	1/4	1.67" (42.42 mm)
PV1-34	FNPT	3/16	1/4	1.67" (42.42 mm)
PV1-44	FNPT	1/4	1/4	1.67" (42.42 mm)
PV1-46	FNPT	1/4	3/8	1.75" (44.45 mm)
PV1-66	FNPT	3/8	3/8	1.75" (44.45 mm)
PV1-68	FNPT	3/8	1/2	1.75" (44.45 mm)
PV1-88	FNPT	1/2	1/2	1.75" (44.45 mm)
PV2-12	Grab Seal [™]	1/16	1/8	1.75" (44.45 mm)
PV2-14	Grab Seal [™]	1/16	1/4	1.75" (44.45 mm)
PV2-24	Grab Seal [™]	1/8	1/4	1.75" (44.45 mm)
PV2-34	Grab Seal [™]	3/16	1/4	1.75" (44.45 mm)
PV2-46	Grab Seal [™]	1/4	3/8	1.75" (44.45 mm)
PV2-68	Grab Seal [™]	3/8	1/2	1.75" (44.45 mm)

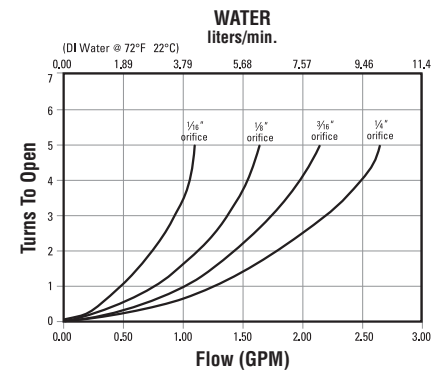
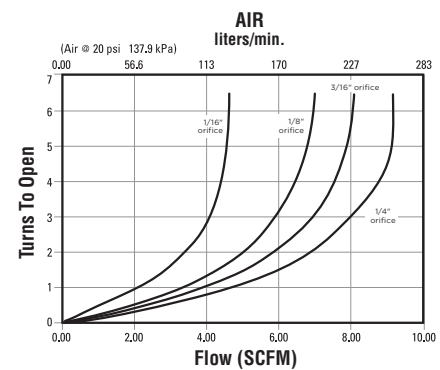
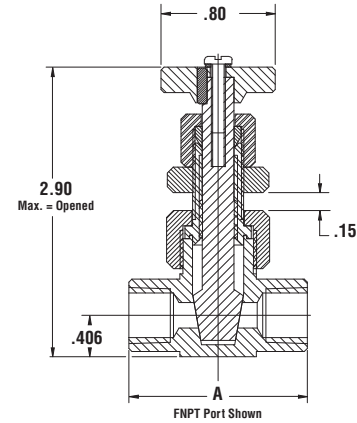
Ordering & Technical Specifications

Max. Operating Pressure	75 psig (5.2 bar)
Max. Operating Temperature	Ambient: 122°F (50°C) Media: 212°F (100°C)
Flow Factor	C _v 0.2 - 0.5
Body	PTFE
Plug & Stem	PTFE
Adjustment Knob	Polypropylene

Options

- 90° Angled Body (PVA Series)
- Other end connections:
 - Nippon Pillar Super 300[®] Tube Ends
 - Others not listed

[Please consult factory](#) for further details >>



Saint-Gobain Performance Plastics
 7301 Orangewood Avenue
 Garden Grove, CA 92841
 1-800-833-5661
 Tel: (714) 630-5818
 Fax: (714) 688-2614

www.furon.com

NOTE: The data and details given in this document are correct and up to date. This document is intended to provide information about the product and possible applications. This document is not the product specification and does not provide specific features, nor does it guarantee product performance in specific applications. Saint-Gobain cannot anticipate or control the conditions of the field and for this reason strongly recommends that practical tests are conducted to ensure that the product meets the requirements of a specific application.

Furon®, FlareGrip® and FuseBond™ are registered trademarks of Saint-Gobain Performance Plastics. Nippon Pillar Super 300® is a registered trademark of Nippon Pillar Packing Co.

IMPORTANT: It is the user's responsibility to ensure the suitability and safety of Saint-Gobain Performance Plastics products for all intended uses and that the components to be used comply with all applicable regulatory requirements. Saint-Gobain Performance Plastics assumes no responsibility for any product failures that occur due to misuse arising out of the design, fabrication or application of the products into which they are incorporated.

WARRANTY: If Product is Purchased by Customer for use: Saint-Gobain warranties that the Product Specifications is for a period of 18 months, provided Customer can establish that the Product did not conform to Specification at time of delivery and the non-conformance of the Product to Specification has not been caused as a result of any action or inaction by the Customer or Customer's storage conditions. If Product is Purchased by Distributor or Reseller: Saint-Gobain warranties that the Product Specifications for a period of 18 months, provided Distributor can establish that the Product did not conform to Specification at time of delivery and the non-conformance of the Product to Specification has not been caused as a result of any action or inaction by the Distributor/Reseller or its or because of storage conditions under which the Product is stored at Distributor/Reseller's and/or Customer/End User's storage facility. THIS IS THE EXCLUSIVE WARRANTY AND IS EXPRESSLY IN LIEU OF ANY AND ALL OTHER OBLIGATIONS, GUARANTEES, WARRANTIES AND REPRESENTATIONS. SAINT-GOBAIN PERFORMANCE PLASTICS DISCLAIMS ALL IMPLIED WARRANTIES OF MERCHANTABILITY AND FITNESS FOR A PARTICULAR PURPOSE.